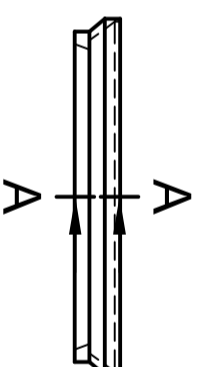
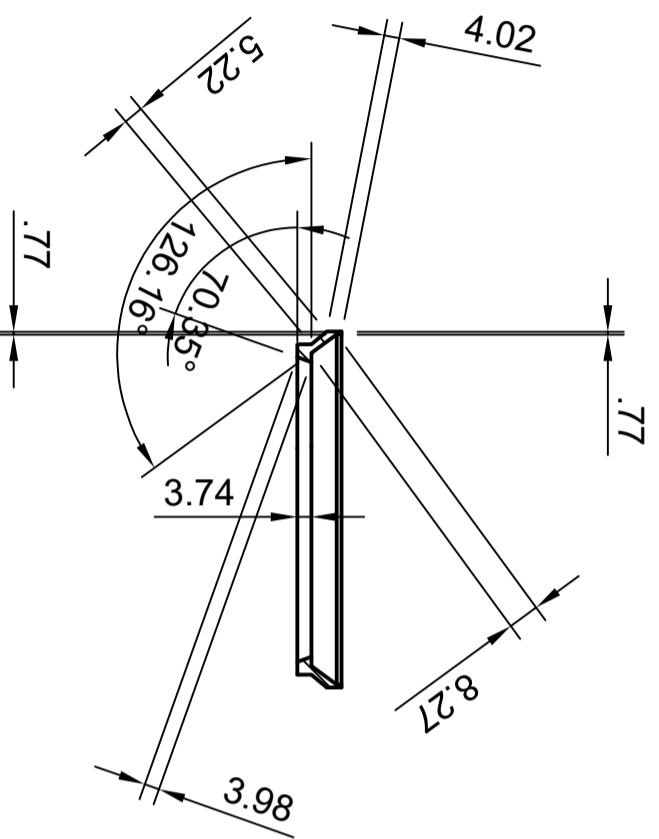


A-A (1:2)



Dept.	Technical reference	Created by	Approved by
		jorussek jorussek 2/25/2022	
		Document type	Document status
		Unicolor Film Drum II piston seal	
		Title	DWG No.
		Rev.	Date of issue
		Sheet	
		1/1	