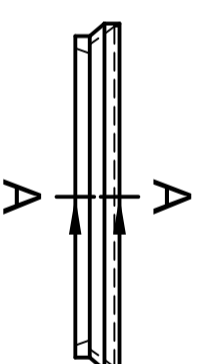
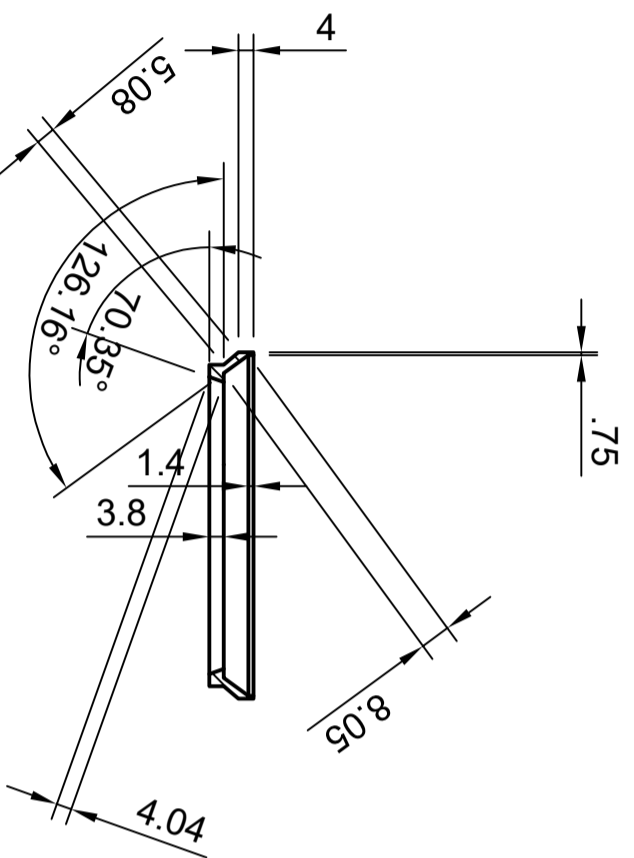


A-A (1:2)



Dept.	Technical reference	Created by	Approved by
		jorussek jorussek 2/25/2022	
	Document type	Document status	
	Title	DWG No.	
	Unicolor Film Drum II piston seal		
Rev.	Date of issue	Sheet	
		1/1	