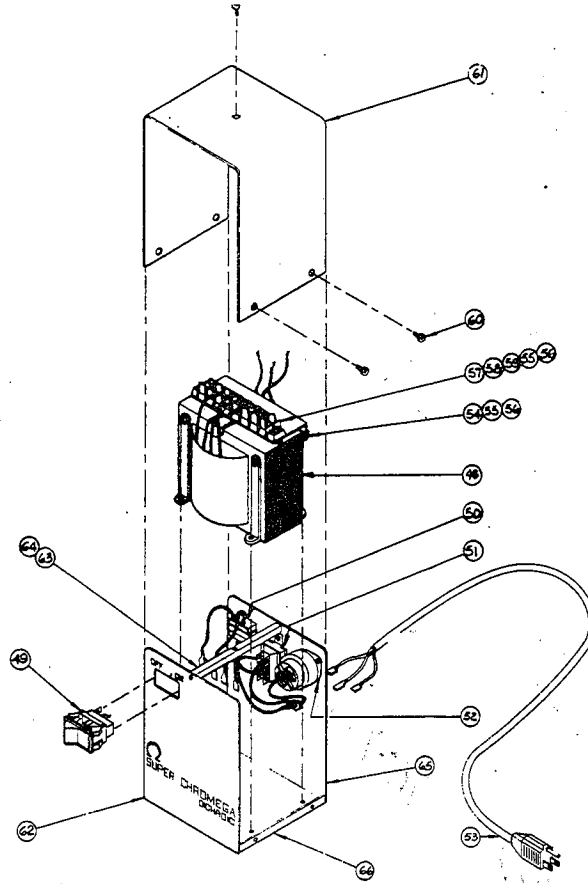


D Power Supply 110V



POWER SUPPLY FOR D & E DICHROIC
CATALOG NUMBER 412-021

PARTS
BREAKDOWN



REF. NO.	PART NO.	DESCRIPTION	QTY. PER
48.	9-304-0040	Transformer	1
49.	9-035-8268-95	Switch	1
50.	9-035-2361-23	Connector	1
51.	9-035-2348-89	Connector	1
52.	9-035-2360-52	Connector	1
53.	9-222-0520	Cord	1
54.	9-111-1307	Bracket, Terminal	1
55.	9-035-5492-47	Nut Hex # 8 (not illustrated)	4
56.	9-035-9316-40	Lockwasher #8 (not illustrated)	8
57.	9-035-8470-80	Block, Terminal	1
58.	9-035-7002-34	Scr. # 8-32 x 5/8 LG (not illustrated)	2
59.	9-035-9312-36	Flatwasher # 8 (not illustrated)	5
60.	9-035-7122-10	Scr. # 6x1/4 (not illustrated)	5
61.	9-311-0044-01	Cover	1
62.	9-311-0640-30	Plate, Front	1
63.	9-161-0903	Bar, Tie	1
64.	9-035-6992-09	Scr. # 6-32x1/4 (not illustrated)	4
65.	9-211-0043	Plate, Base	1

91220430

